

PARTS MANUAL

**N35-40ZRS, N30ZDRS
(A265)**

CUSTOMER EDITION

HYSTER

SECTIONS

1	FRAME
2	ELECTRICAL SYSTEM
3	DRIVE UNIT
4	STEERING SYSTEM
5	BRAKE/ACCELERATOR SYSTEM
6	LOAD WHEEL
7	HYDRAULIC SYSTEM
8	MAST-THREE STAGE FULL FREE-LIFT
9	CARRIAGE
10	OPTIONS
11	FIELD CONVERSION KITS
12	NUMERICAL INDEX

This Parts Manual is divided into 12 major sections which are listed above. Quick reference to these sections can be made by placing the right thumb on the tab of the desired section, bending the book back and thumbing the pages to the corresponding tab.

**Thanks very much for your reading,
Want to get more information,
Please click here, Then get the complete
manual**

JustClickHere 

NOTE:

**If there is no response to click on the link above,
please download the PDF document first, and then
click on it.**

**Have any questions please write to me:
admin@servicemanualperfect.com**

TABLE OF CONTENTS

DESCRIPTION	PAGE
A	
AC CONTROLLERS	2-4
ADD-ON OPTION KITS	11-2
ADJUSTABLE BACKREST	
SHEET 1 OF 2	1-8
SHEET 2 OF 2	1-10
ADJUSTABLE STEER WHEEL ASSEMBLY	
→ S/N A265N02186G	4-22
S/N A265N02187G →	4-24
AFT TRAVEL CONTROL HANDLE ASSEMBLY	2-26
AFT TRAVEL CONTROL HANDLE KIT	11-2
ATTACHMENT	
DOUBLE REACH	9-12
ATTACHMENT CABLE	8-36
ATTACHMENT HOSES	8-34
ATTACHMENT SELECTOR VALVE	7-20
ATTACHMENT VALVE AND HOSES	
→ S/N A265N02311H	7-24
S/N A265N02312H →	7-26
ATTACHMENTS	
SINGLE REACH	9-2
AUDIBLE ALARM	10-22
B	
BATTERY CONNECTOR	2-14
BATTERY RETAINERS AND ROLLERS	1-16
BATTERY STAND AND PULLER	10-20
BOLT-ON WHEEL HANGERS	11-2
BRAKE ASSEMBLY	5-2
C	
CAMERA/MONITOR SYSTEM KITS	11-2
CASTER ASSEMBLY	
NON-STEERED	4-8
STEERED	4-4
CASTER WHEEL BUMPER	
FOR STEERED CASTER	10-23
CONTACTOR	2-10
CONTROL HANDLE ASSEMBLY	
FORWARD STANCE WITH PALM REST	2-24
FORWARD STANCE WITH REAR GRIP	2-22
SIDE STANCE	2-20
CONTROL VALVE ASSEMBLY	7-4
CONTROLLER FAN, HORN AND STATIC STRAP	2-8
COUNTERBALANCE VALVE	
WITH SIDESHIFT	7-23
WITHOUT SIDESHIFT	7-22
COVERS AND PADS	
FORWARD STANCE - SHEET 1 OF 2	1-20

TABLE OF CONTENTS (continued)

DESCRIPTION	PAGE
FORWARD STANCE - SHEET 2 OF 2	1-22
SIDE STANCE	1-18
D	
DASH DISPLAY	2-12
DECAL AND PLATE LOCATION	
SHEET 1 OF 2	1-4
SHEET 2 OF 2	1-6
DIODE FOR IFB PROTECTION	
36 VOLT WITH 12 AND 24 VOLT REGULATORS	2-18
DRIP SHIELD	8-38
E	
EE MOTOR BAND KIT	11-2
F	
FAN ASSEMBLY	10-18
FIXED BACKREST	
SHEET 1 OF 2	1-12
SHEET 2 OF 2	1-14
FIXED STEER WHEEL ASSEMBLY	
→ S/N A265N02186G	4-18
S/N A265N02187G →	4-20
FLOOR PLATE	
ADJUSTABLE	1-24
FIXED	1-26
SUB-ZERO - ADJUSTABLE	1-28
SUB-ZERO - FIXED	1-30
FORKS	9-30
FREE-LIFT	8-14
FREE-LIFT CYLINDER ASSEMBLY	
→ 9/2014	8-18
9/2014 →	8-22
FRONT FRAME	9-24
FUSE BOARD	2-16
G	
GENERAL ELECTRICAL SYSTEM	2-2
H	
HAND HELD HOLSTER AND 12 V RECEPTACLE	10-14
HEADLIGHTS	10-16
HEATER CONTROLS	
→ S/N A265N01734E	1-32
S/N A265N01735E ↔ S/N A265N02925K	1-34
S/N A265N02926K ↔ 2/2013	1-36
2/2013 →	1-38
HEIGHT SENSOR	
SHEET 1 OF 2 (→ 1/2008)	8-30
SHEET 1 OF 2 (1/2008 →)	8-31

TABLE OF CONTENTS (continued)

DESCRIPTION	PAGE
SHEET 2 OF 2	8-32
HYDRAULIC ARRANGEMENT	7-2
HYDRAULIC HOSES	
DOUBLEREACH	7-18
SINGLE REACH	7-16
HYDRAULIC TANK ASSEMBLY	
→ S/N A265N01975F	7-6
S/N A265N01976F →	7-8
I	
IMPACT SENSOR	10-5
L	
LIFT MOTOR	7-14
LIFT PUMP	7-12
LIFT PUMP AND MOTOR ASSEMBLY	7-10
LOAD BACKREST	9-28
LOAD WHEEL ASSEMBLY	6-2
M	
MAIN LIFT	8-6
MAIN LIFT CYLINDER ASSEMBLY	8-10
MAIN WIRE HARNESS	
→ 1/2010	2-28
1/2010 →	2-34
MAST CONNECTION	8-28
MASTER DRIVE AND WHEEL ASSEMBLY	3-2
MASTER DRIVE UNIT	3-4
MDU COMPARTMENT DOOR	3-10
O	
OPERATOR AND OVERHEAD GUARD	1-2
OPERATOR COMPARTMENT LIGHT	10-12
OPTIONS HARNESS	10-2
OUTER, INTERMEDIATE, AND INNER MAST	8-2
P	
POWER CABLES	2-6
PRESSURE TRANSDUCER PIGTAIL KIT	11-3
R	
REACH CYLINDER	
DOUBLE REACH	9-21
SINGLE REACH	9-10
REAR FRAME	9-22
RETRACT SENSOR	10-4
RF TERMINAL BRACKET	10-6

TABLE OF CONTENTS (continued)

DESCRIPTION	PAGE
S	
SCISSOR ASSEMBLY	
DOUBLE REACH	9-16
SINGLE REACH	9-6
SCISSORS	
DOUBLE REACH	9-18
SINGLE REACH	9-8
SHEAVES	8-26
SPLASH GUARD KIT	11-3
STANDARD CASTER WHEEL SUSPENSION	4-3
STEER CONTROLLER	4-14
STEER WHEEL ASSEMBLY MOUNTING	
ADJUSTABLE AND FIXED	4-16
STEERED WHEEL SUSPENSION	4-2
STEERING CONTROLS	
MOTOR AND CONTROLLER	4-26
STEERING PROXIMITY SWITCH	4-12
STEERING TILLER	11-3
STROBE LIGHT/ WORKLIGHT	10-10
T	
TELEMETRY KITS	11-3
TERMINAL CONNECTION ASSEMBLY	10-8
TRACTION MOTOR	
24 VOLT	3-6
36 VOLT	3-8
W	
WIRE HARNESS	
DOUBLE REACH	9-14
FLOORPLATE HEATER	2-37
HEADLIGHTS	2-36
HEATER FREEZER AND ARCTIC (→ S/N A265N02925K)	2-38
HEATER FREEZER AND ARCTIC (S/N A265N02926K →)	2-40
SINGLE REACH	9-4

ABBREVIATIONS QUICK REFERENCE SHEET

Listed below are abbreviations used in parts manuals to denote the following expressions:

TERM	DEFINITION	TERM	DEFINITION
Amp	Amperes	FRE	Freezer Environment
AR	As Required	in.	inches
BDI	Battery Discharge Indicators	LPG	Liquefied Petroleum Gas
BWI	Brush Wear Indicator	MAP	Manifold Absolute Pressure
CE	Communicator End	mm	millimeters
CRE	Corrosive Environment	MSTS	Microprocessor Spark Timing System
D/B	Date Break	NPT	National Pipe Threads
dbA	Decibel "A" Scale	O/S	Oversize
DE	Drive End	PTO	Power Take Off
ECH	Empty Container Handler	RPM	Revolutions per Minute
ECH-3	Empty Container Handler - 3 High Stacking	S/N	Serial Number
ECH-4	Empty Container Handler - 4 High Stacking	TMM	Truck Management Module
ECH-5	Empty Container Handler - 5 High Stacking	UL Type D	Diesel-Powered Safety Rating
ECH-6	Empty Container Handler - 6 High Stacking	UL Type DS	Diesel-Powered Safety Rating
ECH-7	Empty Container Handler - 7 High Stacking	UL Type E	Battery-Powered Safety Rating
ECM	Electronic Control Module	UL Type EE	Battery-Powered Safety Rating
ECN	Engineering Change Notice	UL Type ES	Battery-Powered Safety Rating
EEPROM	Electrically Erasable Programmable Read Only Memory	UL Type G	Gasoline-Powered Safety Rating
EPA	US Environmental Protection Agency	UL Type GS	Gasoline-Powered Safety Rating
EPROM	Electrically Programmable Read Only Memory	UL Type LP	Gas-Powered Safety Rating
		UL Type LPS	LP Gas-Powered Safety Rating
		U/S	Undersize
		UL	Underwriters Laboratory
		V	Volts

HOW TO USE THE ILLUSTRATED PARTS MANUAL

This parts manual describes and illustrates assemblies, subassemblies, and detail parts needed for service replacement.

The different constructions are indicated by keys and footnotes. The callouts correspond to descriptions found on the next page.

HYSTER UNIT CODE D001 NORTH AMERICA 06/2001

TABLE OF CONTENTS

DESCRIPTION	PAGE
AIR INTAKE AND FILTER DIESEL (⇒ D/B 11/98)	3-22
AIR INTAKE AND FILTER DIESEL (D/B 11/96 ⇒)	
AIR INTAKE AND FILTER GASOLINE AND LPG	
ALTERNATOR GASOLINE, LPG, AND DIESEL	
ALTERNATOR TYPES GS, LPS, AND DS	
AUXILIARY FUNCTION TUBE TWO AND THREE STAGE FULL F	

SECTION 13 NUMERICAL INDEX

PART NO.	PAGE NO.	ITEM NO.	PART NO.	PAGE NO.	ITEM NO.	PART NO.	PAGE NO.	ITEM NO.	PART NO.	PAGE NO.	ITEM NO.
142	3-4	19	10-13	25		11-27	29	12-31	12		
12445	3-32	19	10-17	6		11-31	25	16719	3-36	5	
	3-34	1	10-27	11		11-32	37	16751	3-16	27	
			11	11		9-7	9	16849	3-34	21	
			12	6	16485	8-4	29		3-38	20	
			14	13		8-4	45	16863	3-28	17	
			16	6		8-8	34	16865	3-6	18	
			17	17		9-7	9		4-27	41	
			19	10		9-11	17	16882	9-7	30	
			23	46		9-11	17		9-11	27	
			27	46		10-9	21		10-10	36	
			26	14		10-9	28		10-13	32	
			28	14		10-13	16		11-7	24	
			30	14		11-7	19		11-9	17	

SECTIONS

- FRAME
- ELECTRICAL SYSTEM
-
-
- BRAKE/ACC
-
- MAST-TWO STAG
- MAST-THREE STAG
- MAST-TWO STAG
-
-

TRANSMISSION HOUSING ⇒ S/N D001H-2628

KEY:
A: Diesel
B: Gasoline and LPG

ITEM	PART NO.	DESCRIPTION	QTY	
			A	B
		Transmission	1	1
	2022547	Transmission	1	1
	2023329	Case	2	2
1	2021670	Bearing Cap	4	4
2	2023418	Washer	1	1
3	296429	Bolt	2	2
4	29394F	Cover	2	2
5	2021390	Colter Pin	4	4
6	1371656	O-Ring	1	1
7	2021329	Plug	4	4
8	2021915	Housing	22	22
9	2021675	Pin	39	39
10	2021336	Bolt	1	1
11	287860	Lockwasher	1	1
12	292682	Hydraulic Pump	1	1
13		⇒ Figure 5-3		
14	2021345	Gasket	1	1
15	214364	Bolt	8	8
16	296418	Washer	1	1
17	2021388	Temperature Switch	1	1
18	2021389	Breather	9	9
19	2021383	Dipstick	9	9
20	292515	Bolt	2	2
21	136692	Nut	3	3
22	292527	Bolt	3	2
23	292531	Capscrew	4	4
24	292583	Lockwasher	4	4
25	293637	Bolt	1	1
26	296420	Washer	1	1
	996403	Transmission Kit (Includes Item 7)		
	996405	Transmission Kit (Includes Item 14)		

This Parts Manual is divided into 11 major sections which are listed above. Quick be made by placing the right thumb on the tab of the desired section, bending the pages to the corresponding tab.

©Copy Right Date HYSTER COMPANY See Service Manual for service procedures. 5-15

HP990004

HOW TO FIND THE DESIRED PART NUMBER

WHEN THE PART NUMBER AND THE NEXT HIGHER ASSEMBLY IS NOT KNOWN:

1. Determine the function and application of the part required. Turn to the Sections Page. Choose the general area of reference most likely to include the part.
2. Turn to the section you chose. Use the Section Table of Contents to determine the assembly which would normally contain the part required. Then locate the part on the assembly breakdown page.

WHEN THE PART NUMBER IS NOT KNOWN AND THE NEXT HIGHER ASSEMBLY IS KNOWN:

3. Determine the assembly the required part is used on. Turn to the Table of Contents (Page i).
4. Locate the assembly the required part is used on and turn to the page indicated for that assembly. Then locate the part on the assembly breakdown page.

WHEN THE PART NUMBER IS KNOWN:

5. Use the Numerical Index (Page 12-1) to find the part number. Turn to the page listed and locate the part as indicated by the item number.

GENERAL:

The assembly breakdowns include part numbers, descriptions, quantities required, keys and footnotes to help in selecting correct parts.

6. Parts Supersession Information. Part numbers that have this history will be displayed in the parts list in the order that they were superseded (from oldest to newest). The superseded part numbers will be shown with a line through them.

Five periods in the PART NO. column (.) indicate that the part is either *Not Serviced Separately* or there is a reference to another figure. A figure reference is denoted by a pointing hand followed by a figure number in the DESCRIPTION column (☞ Figure 10)

7. Keys are used to show two or more similar assemblies, RH and LH assembly parts, etc. Select the appropriate key, "A", "B", "C", "D", or "E" and the corresponding quantity column to find the required parts. Two periods in the QTY column (..) indicate that the part is not used for that assembly.
8. Indented descriptions under the DESCRIPTION column are used to indicate assemblies and

subparts of assemblies. In the example on the previous page, *BEARING CAP* (Item 2) is a subpart of the major assembly *CASE*.

9. Quantities shown are for one assembly. The quantities of the subpart *BEARING CAP* are indicated as two and two. This means two per *CASE* assembly.
10. Serial number breaks identify the most current parts information and are shown as follows:
 - **S/N D001H2628**
Indicates last serial number affected.
 - S/N D001H2629** →
Indicates the first serial number affected.
 - S/N D001H1553** ↔ **S/N D001H3291**
Indicates a range of serial numbers affected.

ECN numbers for pending serial numbers are shown to allow for the inclusion of the most current parts information and are identified as follows:

→ **S/N Pending Per ECN 63243**

Indicates a pending serial number for last unit affected.

S/N Pending Per ECN 63243 →

Indicates a pending serial number for first unit affected.

Date breaks are used to indicate when a change occurred but a subsequent serial number break was not recorded. This is an arbitrary date usually based on the ECN release and are identified as follows:

→ **D/B 3/00**

Indicates that a change occurred sometime within that month for the item affected.

D/B 3/00 →

Indicates that a change occurred sometime within that month for the item affected.

D/B 3/00 ↔ **D/B 4/00**

Indicates a range of production dates of the item affected.

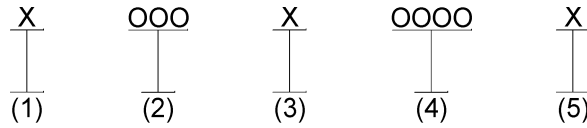
Contact your local dealer for Hyster lift trucks for serial number information for items with a ECN or a date break.

ORDERING PARTS:

When ordering replacement parts, give the unit serial number, part number, name of part and quantity required.

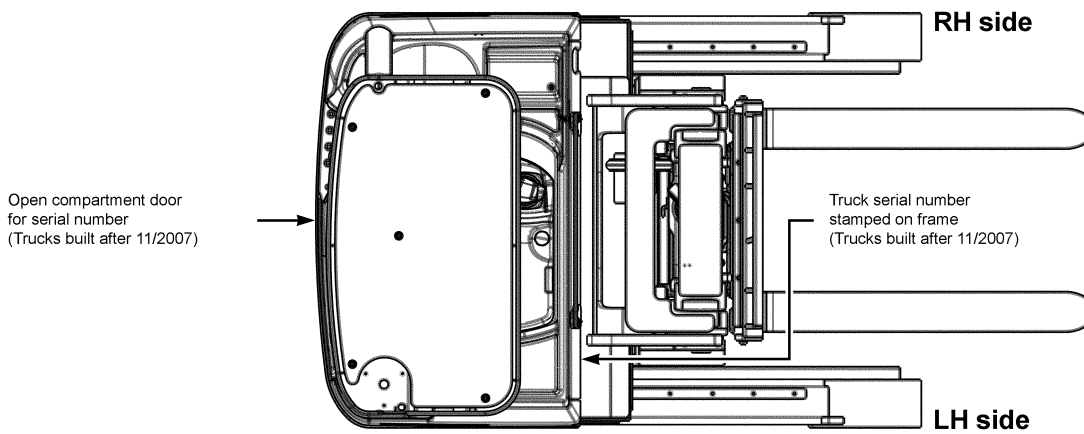
For any further information on parts, service, or ordering, consult your local dealer for Hyster lift trucks.

IDENTIFICATION OF TRUCK SERIAL NUMBERS



- (1) and (2) The first letter and three numbers indicate the truck unit code.
- (3) The second letter indicates the plant of manufacture.
- (4) The four or five digit number indicates the production sequence number of the truck.
- (5) The final letter indicates the year of manufacture starting with "A" in 1957, 1980, and 2003. The letters "I", "O", and "Q" will not be used.

For pending serial numbers contact your local dealer for Hyster lift trucks.



BP990007

Parts referred to in this book as right or left hand parts are in accordance with the illustration above.

PUBLICATIONS

Every new lift truck is provided with an OPERATING MANUAL. This manual has information that the operator must know for inspection and operation of the lift truck.

SERVICE MAINTENANCE MANUALS, which provide service and overhaul procedures, and PARTS

MANUALS with complete replacement part identification, are available at a nominal fee from your Hyster dealer to assist users in effectively maintaining Hyster lift trucks in a safe, useful condition. See the list below for information on ordering specific publications for this model lift truck.

PUBLICATION	HYSTER PART NUMBER
Operating Manual.....	1590970
Service Manual (Complete).....	1652265
Parts Manual.....	1652260

NOTES

Lined area for notes with horizontal lines.

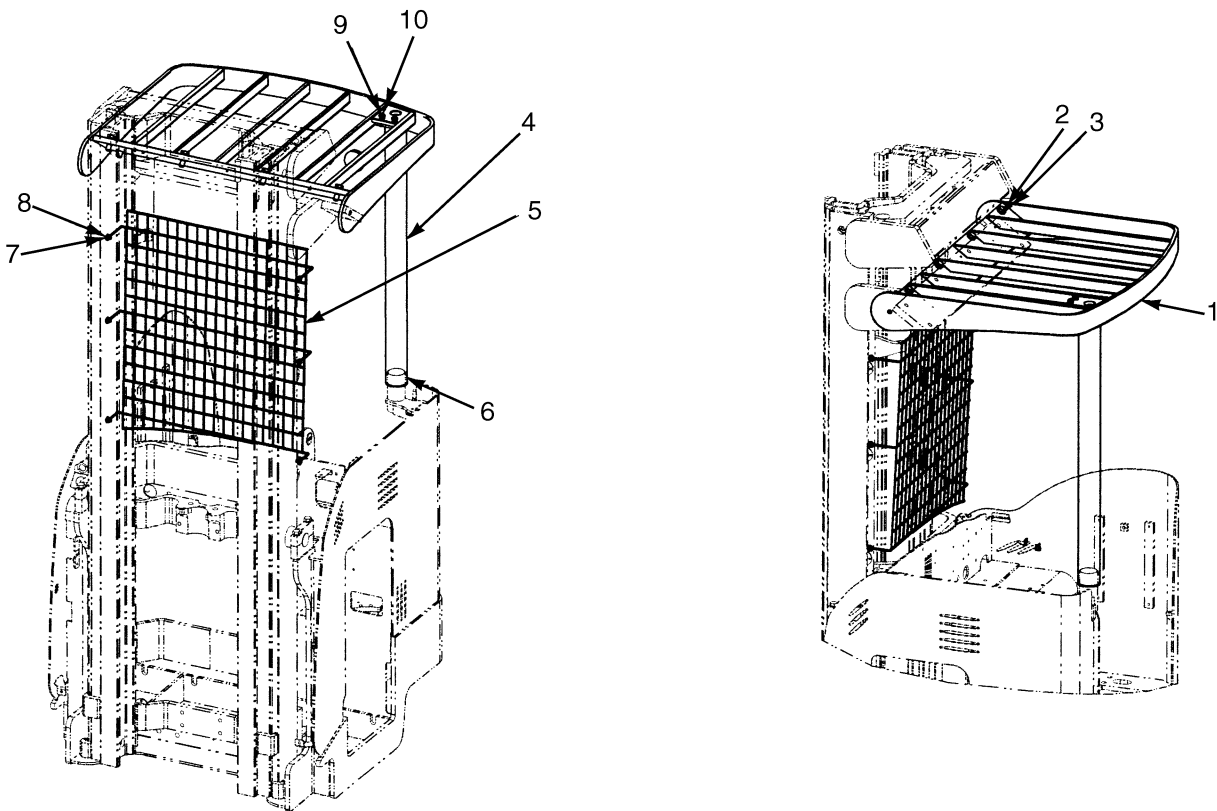
1

FRAME

SECTION 1
FRAME

DESCRIPTION	PAGE
ADJUSTABLE BACKREST	
SHEET 1 OF 2	1-8
SHEET 2 OF 2	1-10
BATTERY RETAINERS AND ROLLERS	1-16
COVERS AND PADS	
FORWARD STANCE - SHEET 1 OF 2	1-20
FORWARD STANCE - SHEET 2 OF 2	1-22
SIDE STANCE	1-18
DECAL AND PLATE LOCATION	
SHEET 1 OF 2	1-4
SHEET 2 OF 2	1-6
FIXED BACKREST	
SHEET 1 OF 2	1-12
SHEET 2 OF 2	1-14
FLOOR PLATE	
ADJUSTABLE	1-24
FIXED	1-26
SUB-ZERO - ADJUSTABLE	1-28
SUB-ZERO - FIXED	1-30
HEATER CONTROLS	
→ S/N A265N01734E	1-32
S/N A265N01735E ↔ S/N A265N02925K	1-34
S/N A265N02926K ↔ 2/2013	1-36
2/2013 →	1-38
OPERATOR AND OVERHEAD GUARD	1-2

OPERATOR AND OVERHEAD GUARD (FIGURE 1-1)



BP120284

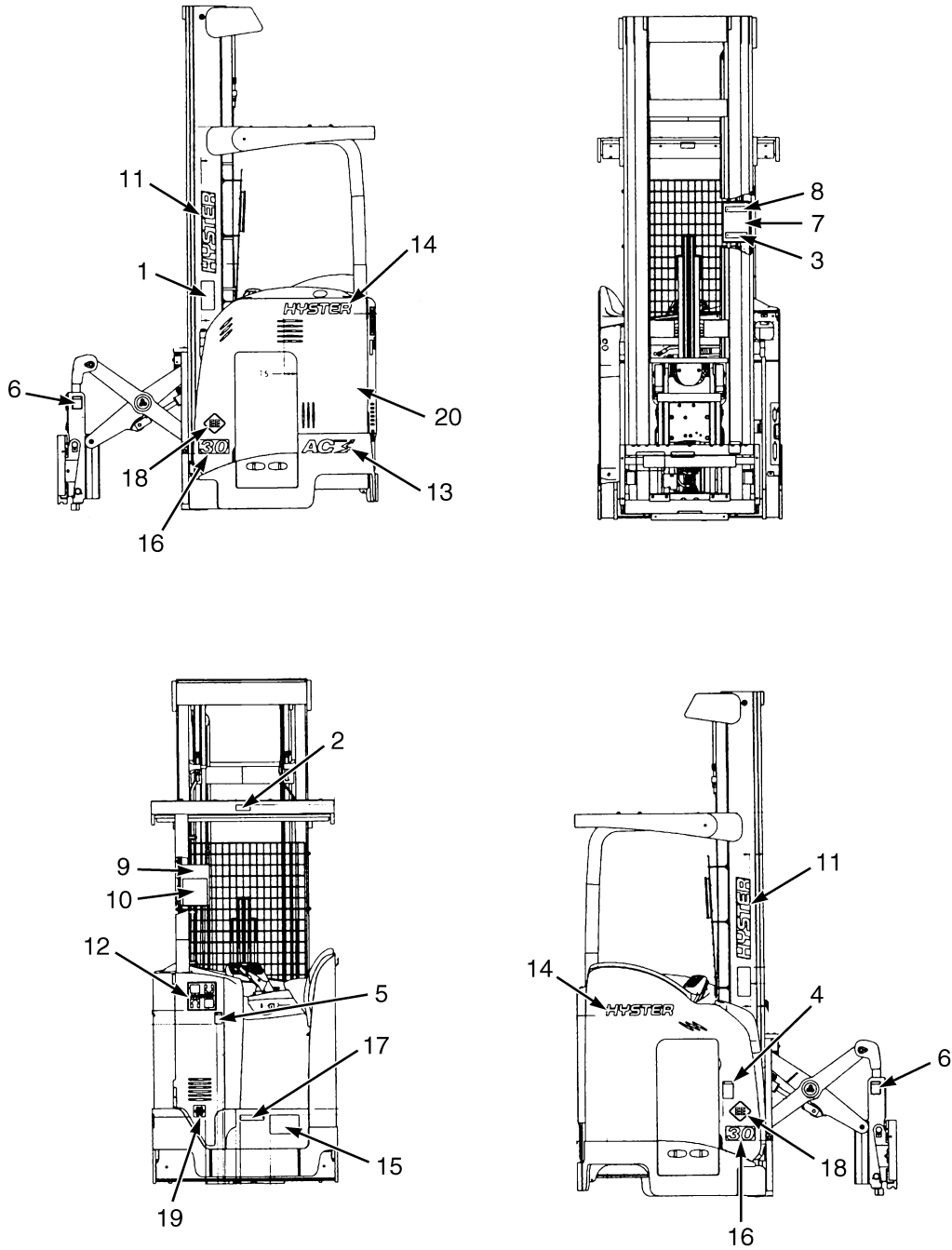
OPERATOR AND OVERHEAD GUARD

ITEM	PART NO.	DESCRIPTION	QTY
1	1530953	Overhead Guard (14.5")	1
1	a 1674061	Overhead Guard (14.5")	1
1	1530947	Overhead Guard (16.5")	1
1	a 1674062	Overhead Guard (16.5")	1
2	292685	Lockwasher	6
3	292561	Capscrew	6
4	b 1623706	Rear Post (87"-88")	1
4	d 1623705	Rear Post (91, 92, 98" +)	1
4	e 1623709	Post , Rear (96"-97")	1
4	c 1623707	Rear Post (89"-90")	1
5	1539851	Finger Guard	1
6	1529618	Flange	1
7	2061357	Capscrew	6
8	4140498	Washer	6
9	f 2076289	Capscrew	1
10	f 316837	Nut	1

FOOTNOTES:

- | | |
|---|---|
| a Alternate Part | d For 91", 92", 98" and Above OAH Masts |
| b For 87", 88", 94", and 95" OAH Masts only. | e For 96"-97" OAH Mast |
| c For 89", 90" OAH Mast | f Used on trucks without operator compartment lights |

DECAL AND PLATE LOCATION (FIGURE 1-2) SHEET 1 OF 2



BP260049